



**KS Flexible Laundry Pipe (Double-sided tape)**

This laundry pipe allows you to dry the clothes in the bathroom. The rod is expandable, so you can adjust the length to suit the size of your bathroom. It uses sturdy stainless steel to hold the heavy laundry and maintain hygiene.

Material: <Pipe>Stainless  
<Bracket>Resin  
Load Capacity:10kg(98N)  
Finish/Color:White Gray

**KS Flexible Laundry Pipe set (Double-sided tape)**

Product No.	Bathroom's wall dimension(mm)
610-651	950~1,800

Screw included:  
4 × 30 Truss head tapping screw 4pcs

**Bracket set (Double-sided tape)**

Product No.	Finish/Color
610-655	White Gray

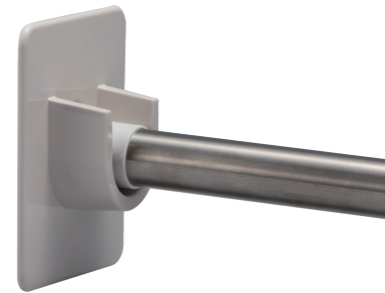
Screw included:  
4 × 30 Truss head tapping screw 4pcs  
※ It is included in the main body set.

**KS Flexible Laundry Pipe set**

Pipe	1pcs
Bracket set	1set

**Bracket set**

Bracket	2pcs
Double-sided tape	2sheets
Installation screw	4pcs



Installation state



Bracket



Pipe  
(With one set of cap)



Installation state



Pipe  
(With one set of cap)



Bracket

**KS Flexible Laundry Pipe (Screw mounting)**

This is for drying clothes in the bathroom. This laundry pipe allows you to dry the clothes in the bathroom. The rod is expandable, so you can adjust the length to suit the size of your bathroom.

Material: <Pipe>Stainless  
<Bracket>Resin  
Load Capacity:10kg(98N)

**KS Flexible Laundry Pipe set (Screw mounting)**

Product No.	Bathroom's wall dimension(mm)	Finish/Color
610-652	950~1,800	White Gray
610657		Chrome Plating

Screw included:  
4 × 35 Flat head tapping screw 4pcs

**Bracket set (Screw mounting)**

Product No.	Finish/Color
610-656	White Gray
P1-610657	Chrome Plating

Screw included:  
4 × 35 Flat head tapping screw 4pcs  
※ It is included in the main body set.

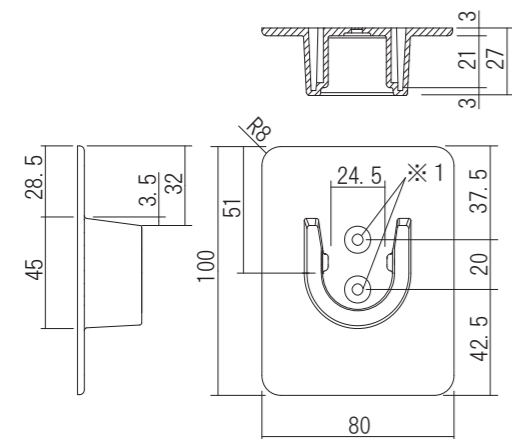
**KS Flexible Laundry Pipe set**

Pipe	1pcs
Bracket set	1set

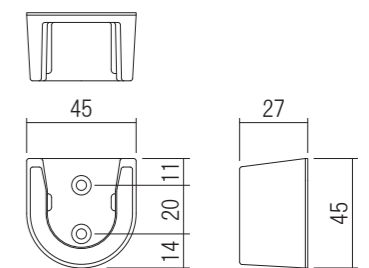
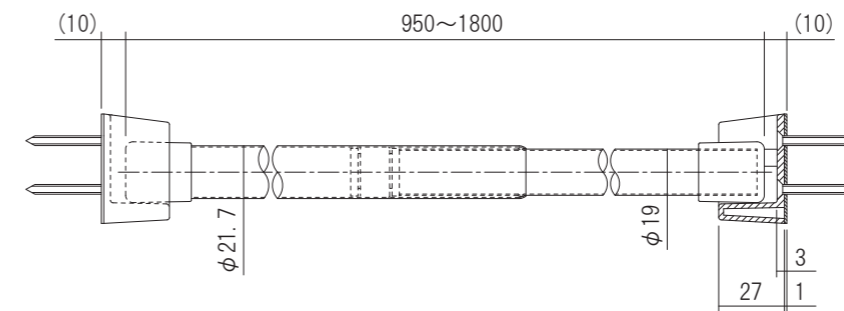
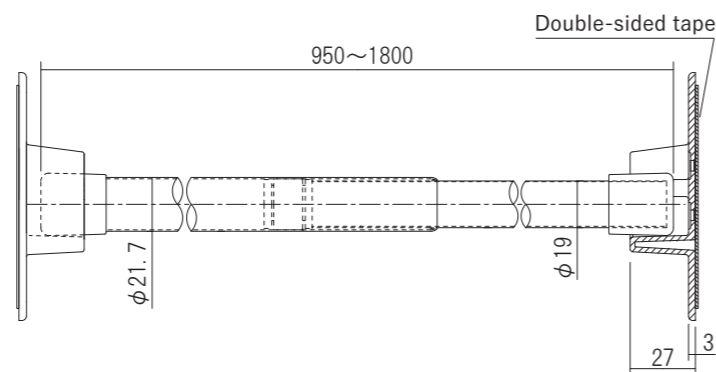
**Bracket set**

Bracket	2pcs
Base plate	2sheets
Installation screw	4pcs

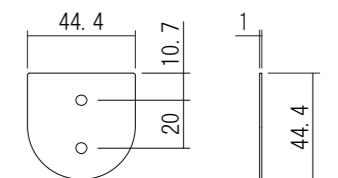
**Warning**  
**Safety Load Capacity:10kg(98N)**  
Mostly, there is a reinforcing board behind the bathroom wall. However, in some cases, it's not there, and it can cause any damages or dangers caused by the wall that's not strong enough to hold the load. Thus, please make sure of the existence of the board before installing this product.



※1 You can use both double-sided tape and screws when installing the bracket to the wall.



Bracket



Base plate