

**Fire-rated Handle**



This lever handle is applicable on fire-rated door. The fire-rated period is 3 hours. Not only conforms to EN1634, but this lever also confirms to EN1906 and DIN18251.

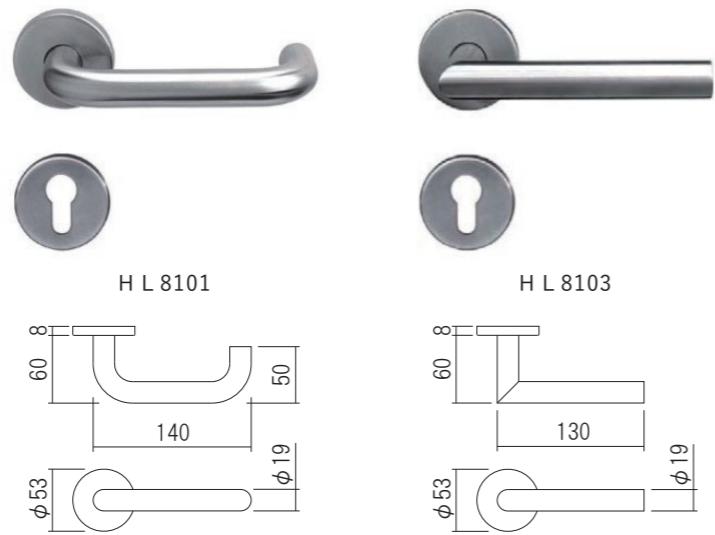
Material: Stainless  
 Finish/Color: Satin Finish  
 Durability Testing: 200,000 times  
 Fire-rated Testing period: 3 hours  
 Specification: EN1906, DIN18251

**Fire-rated Handle**

Product No.	Model No.
500-030	LH8101
500-031	LH8103

**Parts included:**

- Fire-rated Handle 1pair
- Escutcheon 1pcs
- Assembly screws 1set
- Allenwrench 1pcs



**Standard Cylinder**



This is a 6 pins-tumbler locking cylinder made of brass and the bottom pin is made of stainless steel.

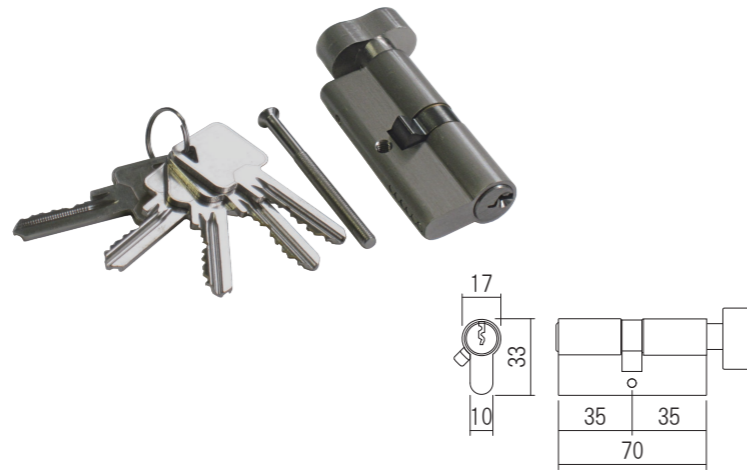
Material: Brass, Stainless  
 Finish/Color: Satin Nickel  
 Durability Testing: 200,000 times  
 Specification: EN1303:2005

**Standard Cylinder**

Product No.
500-046

**Parts included:**

- Standard Cylinder 1pcs
- Brass key 5pcs
- Steel screw 1pcs



**Euro Profile Escutcheon**



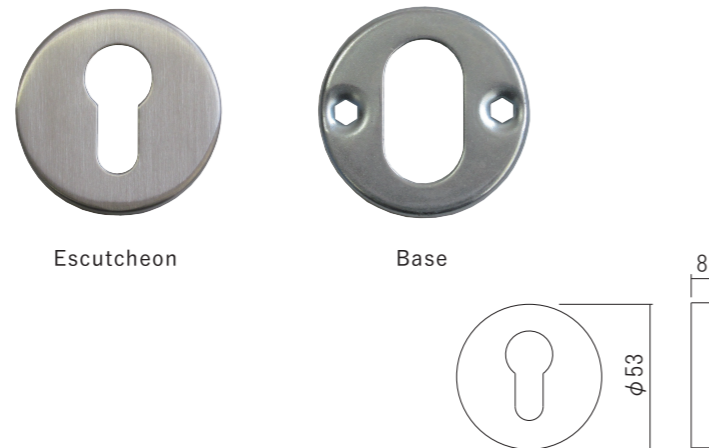
Material: (Escutcheon)Stainless  
 (Base)Steel  
 Finish/Color: Satin Finish

**Euro Profile escutcheon**

Product No.
500-045

**Parts included:**

- Euro Profile escutcheon 1set



**Rectangular Flush Cover**

This product is useful to cover cylinder lock so the door looks seamless. Pull the cover up to operate the cylinder.

Material: Stainless

**Rectangular Recessed Pull**

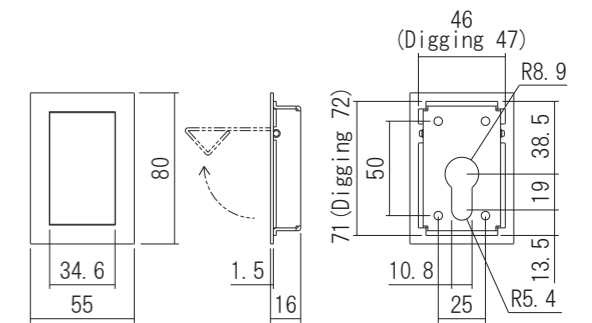
Product No.	Finish/Color
500-040	Satin Finish
500-041	Black

**Screw included:**

- 4 × 12 Flat head machine screw(D7) 4pcs

**Parts included:**

- Rectangular Recessed Pull 1pcs
- Assembly screws 1set



**Euro Fire-rated Hinge**

This hinge is applicable on fire-rated door with a fire-rated period for 2 hours. This product not only conforms to EN1634, but it also confirms to EN1935:2002 Grade 13.

Material: Stainless  
 Finish/Color: Raw Material

**Euro fire-rated hinge**

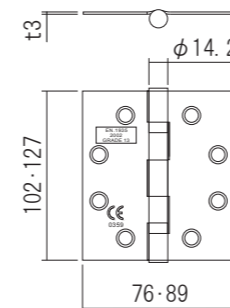
Product No.	Size(mm)	Material
500-000	127 × 76 × t3	SUS304
500-001	102 × 76 × t3	SUS304
500-002		SUS316
500-003	127 × 89 × t3	SUS304
500-004		SUS316

**Screw included:**

- 4.5 × 30 Flat head tapping screw 8pcs

**Parts included:**

- Euro fire-rated hinge 1pcs
- Assembly screws 1set



**The number of hinges required**

Door height (mm)	Hinges Quantity
Below 1523	2
1524~2285	3
2286~3048	4

**Load capacity table**

Hinge size (mm)	Load capacity (kg)	Door Width (mm)
102 × 76 × t3	45	Below 850
127 × 76 × t3	50~60	Below 900
127 × 89 × t3	50~60	Below 900