

Magnet Catcher

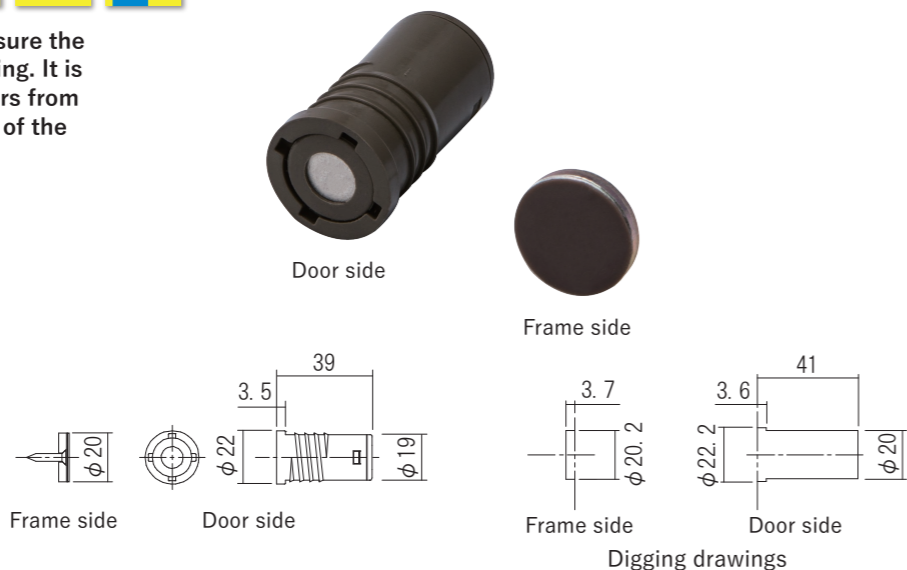


This product is effective in making sure the sliding door stays still and not shaking. It is also good to prevent the sliding doors from bouncing back and reduce the thud of the door hitting the frame.

Material: Resin, Steel, Magnet
 Load Capacity: 10~35kg(98~343N)
 Door Thickness: More than 28mm

Magnet Catcher	
Product No.	Finish/Color
230-022	Amber

Screw included:
 3 × 16 Flat head tapping screw 1pcs



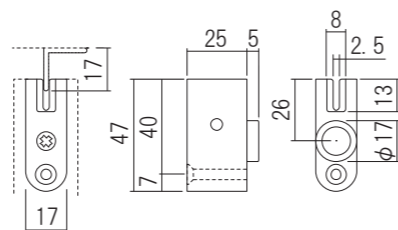
F2 Adjuster Guide

This rail is used together with the upper rail of a sliding door with lower roller.

Material: Resin
 Load Capacity: 30kg(294N)
 Installation Range: Left-Right ± 2mm

F2 Adjuster Guide	
Product No.	Finish/Color
305-012	Amber

※ 1pc price.
 Screw included:
 4 × 45 Flat head tapping screw 1pcs



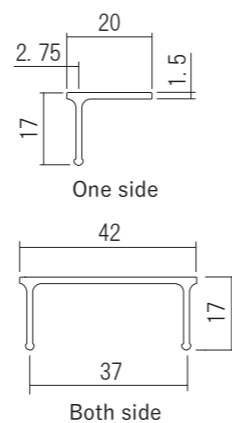
Upper Rail



Material: Aluminium
 Load Capacity: 30kg(294N)
 Finish/Color: Amber

Upper Rail		
Product No.	Specification	Length(mm)
310-012	One side	1,820
310-022		2,730
310-032		3,640
310-042	Both side	1,820
310-052		2,730
310-062		3,640

Screw included:
 3.5 × 25 Flat head tapping screw
 (The number depends on the rail length.)



Door Stopper Cap

The cap which made of elastomer Resin with good cushioning and durability. We provide with a lot of color variations.

Material: Resin

Door Stopper Cap

Product No.	Installation diameter (mm)	Finish/Color
251-001	φ 8	Birch K
251-002		Natural N
251-003		Cherry C
251-004	φ 10	Brown B
251-005		Dark D
251-009		White W
251-010	φ 13 ※1	Peach Y
251-011		Birch K
251-012		Natural N
251-013	φ 10	Cherry C
251-014		Brown B
251-015		Dark D
251-019	φ 13 ※1	White W
251-020		Peach Y
251-021		Birch K
251-022	φ 10	Natural N
251-023		Cherry C
251-024		Brown B
251-025	φ 13 ※1	Dark D
251-029		White W
251-030		Peach Y

※1 φ 13 color is slightly different.

