



Bar Handle

A puller handle for indoor sliding doors. The long bar with $\Phi 30$ mm diameter design provides an easier grip when opening a door and prevents your hand from slipping. This is a benefit to the children, the elderly, and those with physical disabilities. This product is available in 5 natural warm wood colors that will go well with any sliding door color.

Material: <Bar>Natural Wood
<Rose>ADC
Door Thickness: 27~32mm

Bar Handle		
Product No.	Set content	Finish/Color
863-101LP	Bar Handle	Pale
863-101LD	+ Pull	Dark
863-101WA		White
863-101LL		Rusk
863-101LM		Mocha
863-102LP	Bar Handle	Pale
863-102LD	+ Bar Handle	Dark
863-102WA		White
863-102LL		Rusk
863-102LM		Mocha

Screw included:
M5 \times 16 Flat head machine screw 2pcs



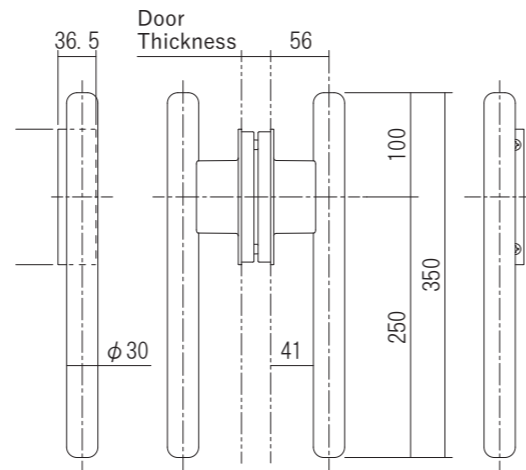
Pale



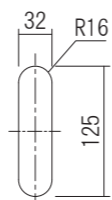
Pull



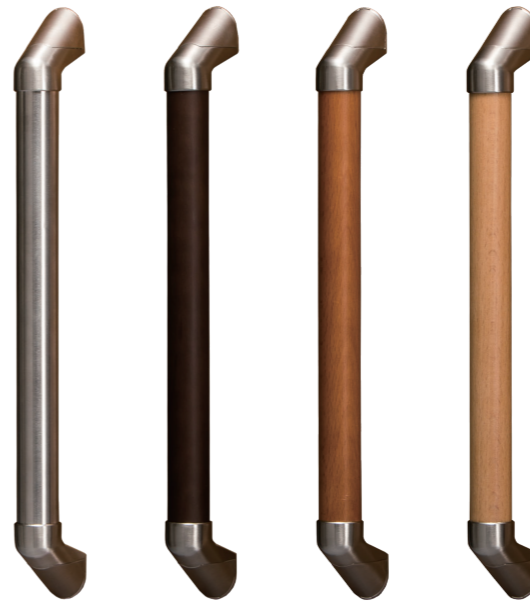
Dark White Rusk Mocha



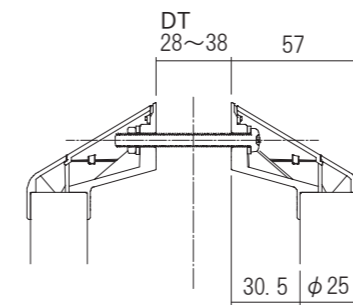
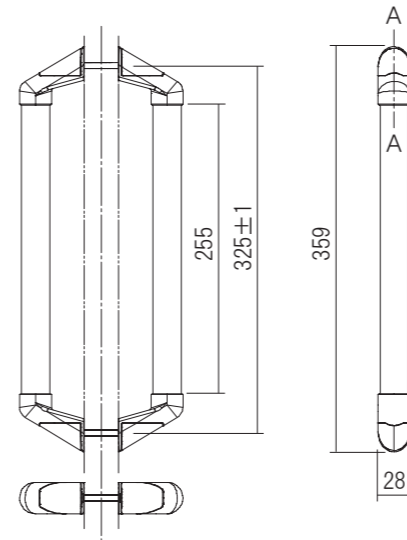
Both sides bar handle specification



Digging process drawing



Hairline Dark Middle Light



Cross section A-A

Big Handle



A $\Phi 25$ mm diameter bar puller for indoor sliding doors. It has a complimentary design, combining a wooden bar and stainless steel bracket nicely. This product is aesthetic and usable to the greatest extent as it provides easier gripping for everyone.

Material: <Handle>Stainless, Natural Wood
<Bracket>ZDC
<Cover>Resin
Door Thickness: 28~33mm, 34~38mm

Big Handle				
Product No.	DT (mm)	Handle Material	Finish	Color
861-325S	34~38	Stainless	Hairline	Raw material
861-325K		Natural wood	Urethane Painting	Dark
861-325C		Natural wood	Urethane Painting	Middle
861-325F		Natural wood	Urethane Painting	Light
862-325S	28~33	Stainless	Hairline	Raw material
862-325K		Natural wood	Urethane Painting	Dark
862-325C		Natural wood	Urethane Painting	Middle
862-325F		Natural wood	Urethane Painting	Light

Screw included:
M6 \times 60 or M6 \times 55 Pan head machine screw 2pcs
M6 3 types nuts 2pcs
M6 Flat washer 2pcs
M6 Spring lock washer 2pcs

Bracket finish: <Bracket>Satin Silver
<Cover>Nickel Plating + Clear Coating

※ There is also one side specification.
Please contact us for more information.

