



TK One Touch Flush Pull

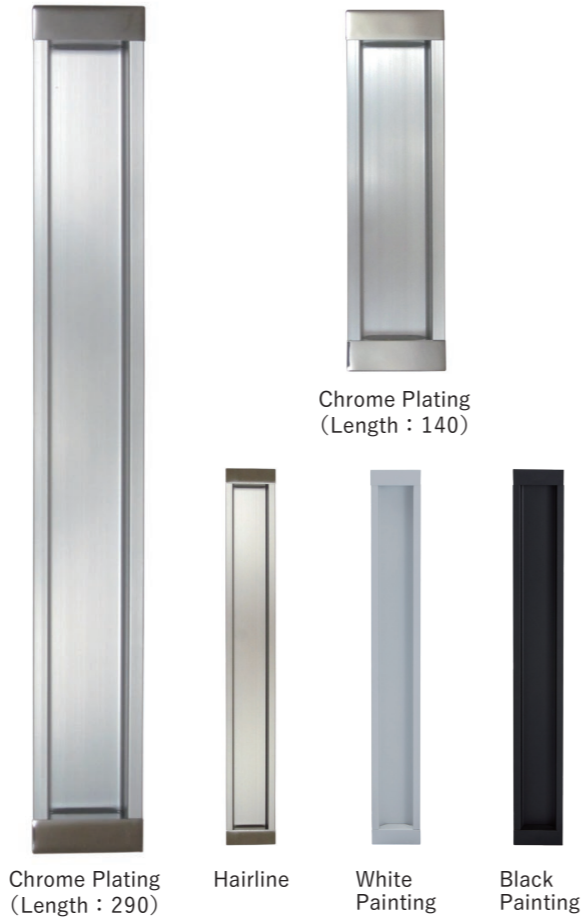
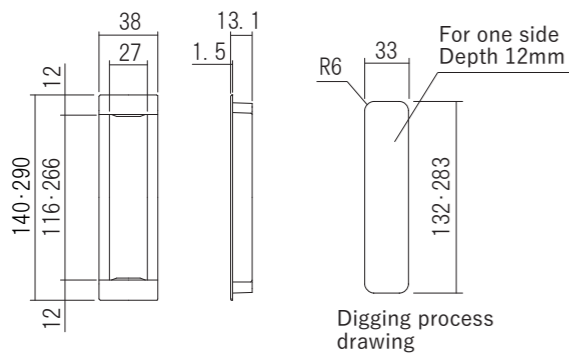
This one touch flush pull for an interior sliding door consists of 2 parts combined which create a stylish design. It has a seamless appearance as it doesn't use any screw for installation. To install, simply apply adhesive and fix it on the door. The length of this product is available in two types, 140 mm and 290 mm.

Material: <End>ZDC
<Bar>Aluminium

TK One Touch Flush Pull

Product No.	Length (mm)	Finish/Color End	Bar
224-614	140	Chrome Plating	Alumite Silver
224-614SW		Hairline	Stain Alumite
224-614WH		White Painting	White Painting
224-614BK		Black Painting	Black Painting
224-629	290	Chrome Plating	Alumite Silver
224-629SW		Hairline	Stain Alumite
224-629WH		White Painting	White Painting
224-629BK		Black Painting	Black Painting

※ 1pc price.



ND Flush Pull

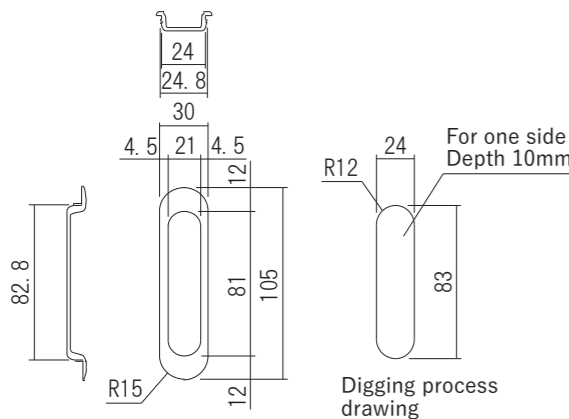
This flush pull for an interior sliding door has round edges to create a sense of fluid design. It also has a seamless appearance as it doesn't use any screw for installation. To install, simply apply adhesive and fix it on the door.

Material: ZDC

ND Flush Pull

Product No.	Finish/Color
224-615	Satin Gold
224-616	Satin Silver

※ 1pc price.



Flush Edge Pull

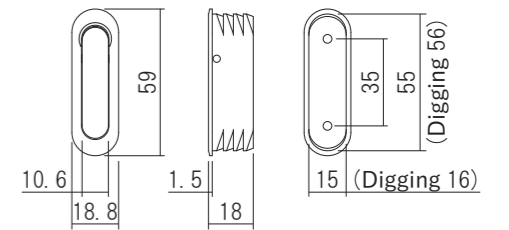
The edge pull is intended for the pocket door edge, but this one is also applicable to folding doors and underfloor storage. The product allows the finger grip to retract from the door by pushing the upper part. The appearance is flush mount, and the mounting screws are invisible.

Material: ZDC
Door Thickness: More than 27mm

Flush Edge Pull 59

Product No.	Finish/Color
220-306	Paint Silver
220-307	Mirror Silver
220-308	Satin Silver

Screw included:
3 × 12 Flat head tapping screw 2pcs



Flush Edge Pull 72

Product No.	Finish/Color
220-301	Paint Silver
220-302	Mirror Silver
220-303	Satin Silver

Screw included:
4 × 20 Flat head tapping screw(D6) 2pcs

