



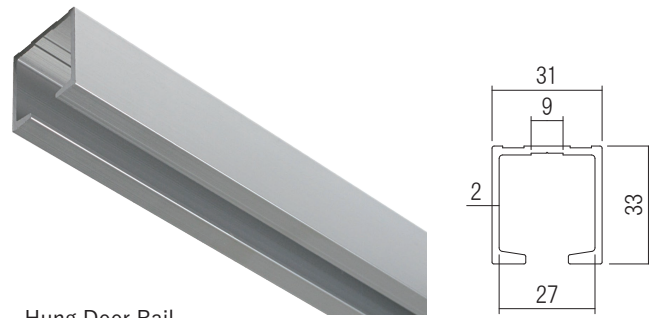
Heavy Duty Hung Door

A set of top-hung track and rollers for indoor sliding doors allows doors weighing up to 100 kg to glide smoothly. This heavy-duty top-hung roller also has passed 500,000 operation tests to ensure the door will operate at its optimum for years to come.

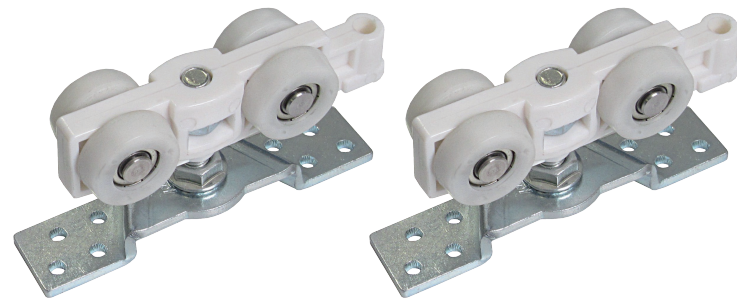
Material: <Roller>Resin, Steel
 <Hung Door Rail>Aluminum
 <Upper Stopper>Resin
 <Floor Guide>Resin
 Load Capacity: 100kg(980N)
 Finish/Color: <Roller>White
 <Hung Door Rail>Silver
 <Upper Stopper>White
 <Floor Guide>White

Heavy Duty Hung Door	
Product No.	Length of the rail (mm)
320-026	1,820
320-027	2,730
320-028	3,640

- Parts included:
 Roller 2pcs, Hung Door Rail 1pcs
 Upper Stopper 2pcs, Floor Guide 1pcs
 Screw included:
 <Roller>
 4 × 40 Oval head tapping screw 16pcs
 <Hung Door Rail>
 4 × 45 Flat head tapping screw
 (The number depends on the rail length.)
 <Floor Guide>
 4 × 30 Flat head tapping screw 3pcs



Hung Door Rail



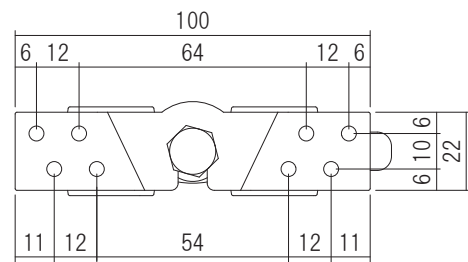
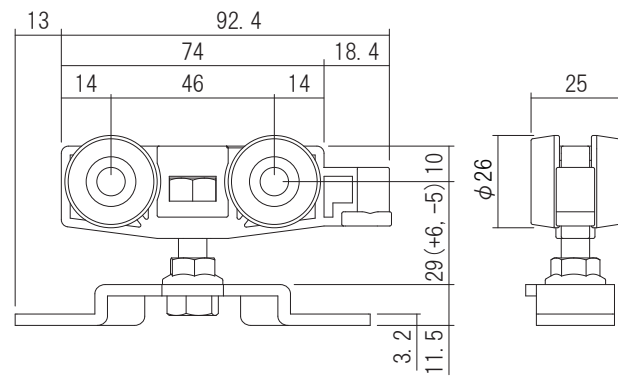
Heavy Duty Hung Door



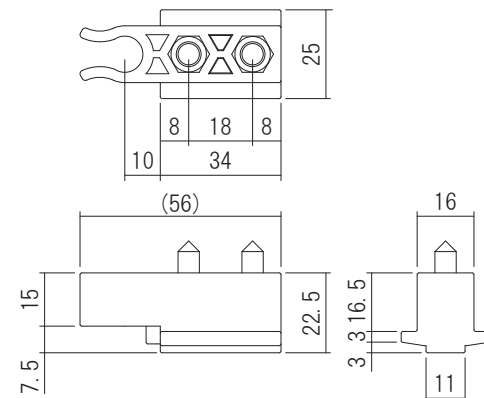
Upper Stopper



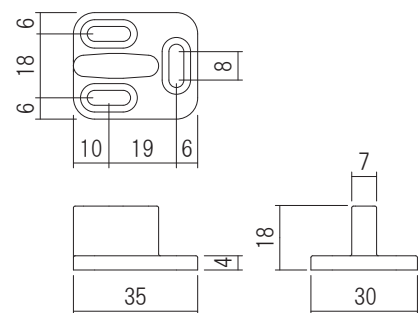
Floor Guide



Heavy Duty Hung Door



Upper Stopper



Floor Guide