



NS Automatic Hook Lock

By adding up a magnet, this product not only can prevent the door from not closing perfectly or bouncing back. But it can also automatically lock the door by dropping the hook once the door is pulled to close entirely by the magnet force. Pull the puller to lift the hook, and the door will become moveable. The product without a lock is also an option for your sliding door.

Material: (Pull) Resin
 (Lock Case, Strike) Stainless, Steel
 Door Thickness: DT33_29.5~34.5mm, DT36_34.6~39.0mm
 Strike Installation Range: Up-Down ± 4mm, Depth 4mm

NS Automatic Hook Lock

Product No.	Key	Specification	Finish/Color
DT33	DT36		
224-621□	224-624□	Passage lock	Chrome Plating
224-622□	224-625□		Gold Painting
224-623□	224-626□		Silver Painting
224-631□	224-634□	Privacy lock	Chrome Plating
224-632□	224-635□		Gold Painting
224-633□	224-636□		Silver Painting
224-641□	224-644□	Indicator lock	Chrome Plating
224-642□	224-645□		Gold Painting
224-643□	224-646□		Silver Painting
224-651	224-654	Puller	Chrome Plating
224-652	224-655		Gold Painting
224-653	224-656		Silver Painting

※ □: Enter R for the front Round type or S for the Rectangle type.
 ※ The price is for one inside and one outside set.
 ※ The finish of the front of the lock case and the strike is barrel polishing.

Screw included:
 (Pull) M3×30 Flat head machine screw 2pcs
 (Lock Case) 4×20 Flat head tapping screw 2pcs
 (Strike) 4×20 Flat head tapping screw 2pcs



Round type
 Rectangle type
 Adjustable Strike

NS Automatic Hook Lock (Indicator lock)



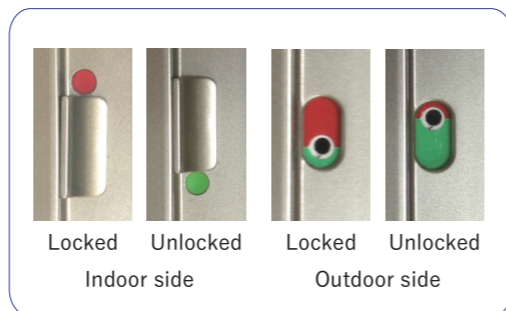
Round type Square type



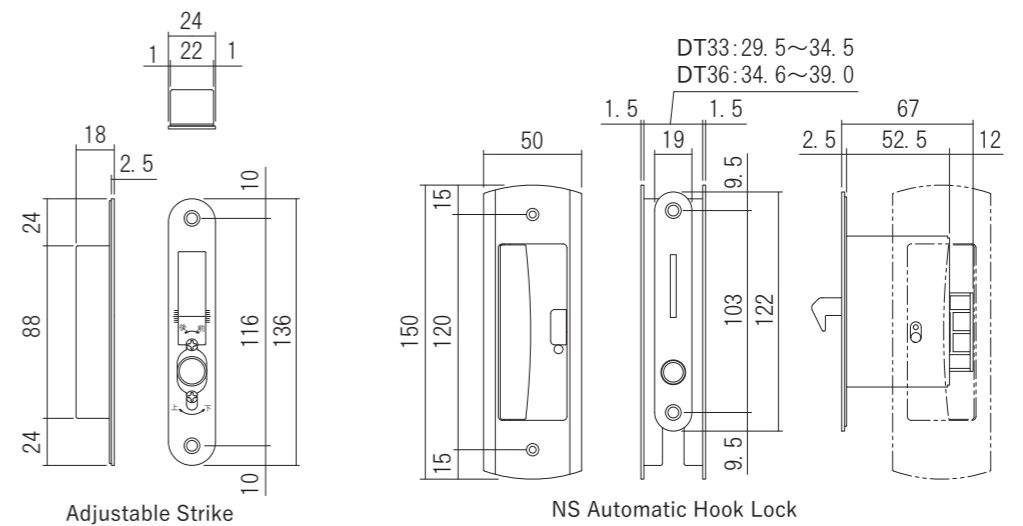
Passage lock Privacy lock Indicator lock Puller (no lock)



Chrome Plating Gold Painting Silver Painting

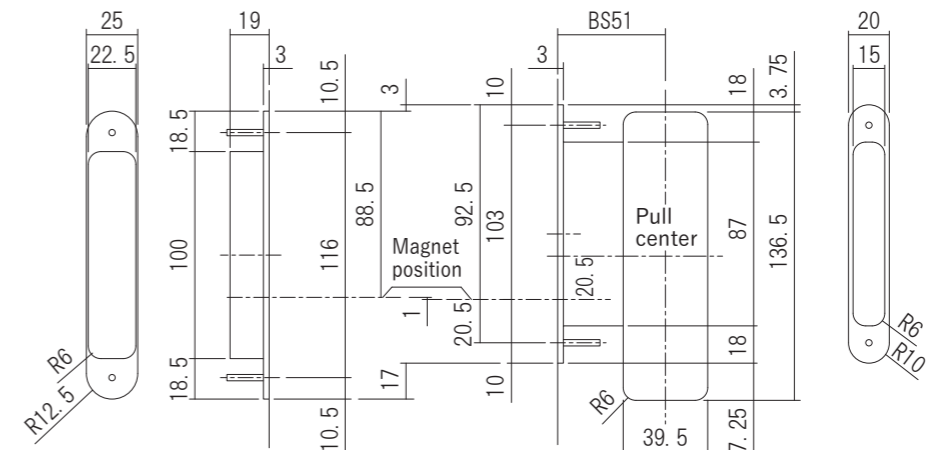


Locked Unlocked Locked Unlocked
 Indoor side Outdoor side



Adjustable Strike

NS Automatic Hook Lock



Digging process drawing

