

SLs Series

These SLs unified bathroom accessories are widely used for bathrooms and restrooms, from regular residential to high-end condominiums. This series features a luxurious chrome finish and invisible mounting screws. In addition, the SLs towel ring is available in 2 different types, round and square types.

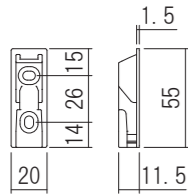
SLs Paper Holder  

Material: (Base, Bracket) Resin
(Paper cut plate, Bar) Stainless

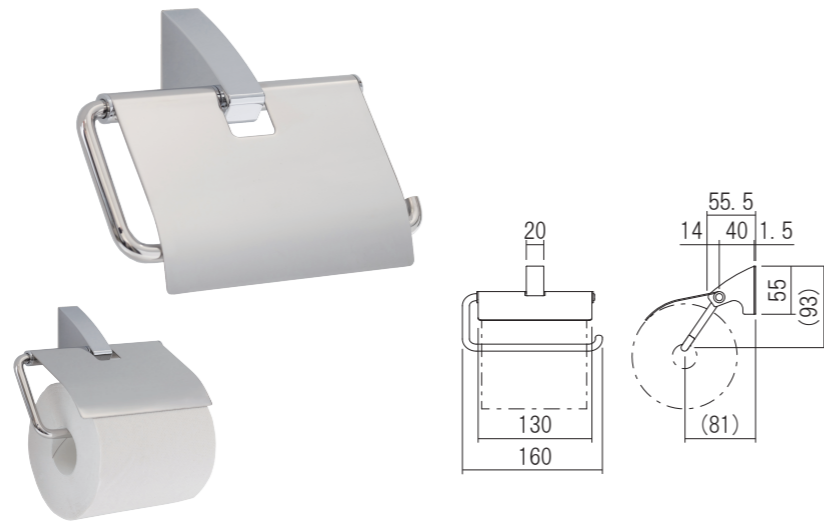
SLs Paper Holder

Product No.	Finish/Color
610895	Chrome

Screw included:
4 × 30 Truss head tapping screw 2pcs



Common base



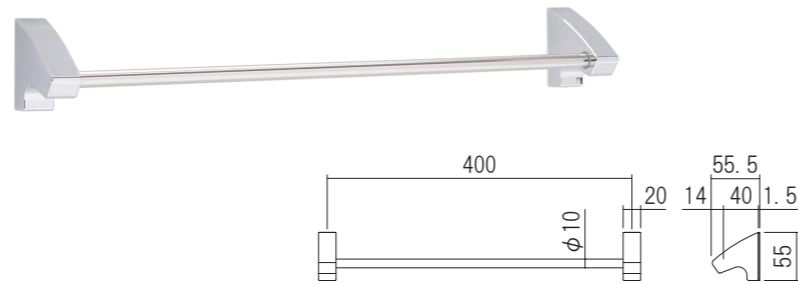
SLs Towel Bar   

Material: (Base, Bracket) Resin
(Bar) Stainless

SLs Towel Bar

Product No.	Finish/Color
610892	Chrome

Screw included:
4 × 30 Truss head tapping screw 4pcs



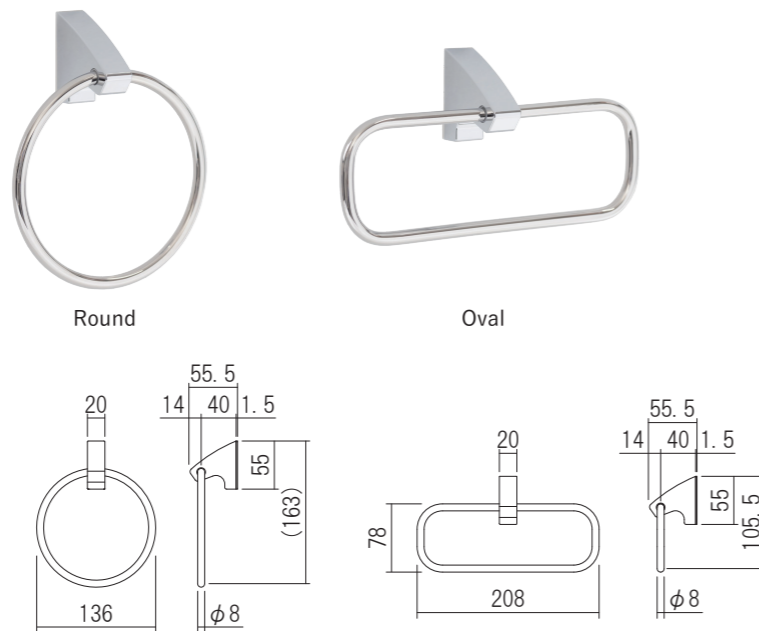
SLs Towel Ring  

Material: (Base, Bracket) Resin
(Ring) Stainless

SLs Towel Ring

Product No.	Ring	Finish/Color
610890	Round	Chrome
610891	Oval	

Screw included:
4 × 30 Truss head tapping screw 2pcs



One Touch Paper Holder 

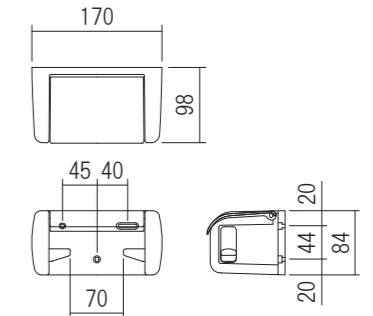
This simple and well-designed one-touch toilet paper holder is popular due to its effortless toilet roll changing process. Press the new roll up from the bottom, pull the old roll's core out, and now you've got a fresh batch of toilet paper. This product is widely used for restrooms in residential, business hotels, and public facilities. It's available in 4 different colors to suit your bathroom interior design.

Material: Resin

One Touch Paper Holder

Product No.	Specification	Finish/Color
610201	—	White
610202		Ivory
610203		Pink
610205		Black
610204	One hand cut	White

Screw included:
4 × 30 Truss head tapping screw 3pcs



How to Hang a Toilet Paper

You can easily hang it over by simply pushing it up from the bottom.
(Make sure the toilet paper holder's arms fit into both ends of the roll)

