

Hinged Door Soft Closer   

This door closer is suitable for indoor use, either on a new or an existing door. It helps to reduce the unpleasant noise of the door hitting the frame and prevent it from slamming shut. The door closer will decelerate the speed of the door at  $\pm 40$  mm towards the end and automatically pull the door to close perfectly. The installation can be done easily using the attached pattern paper. Once installed, the closing speed can be adjusted. Compared to the other products, ours has outstanding durability as it has passed 500,000 times during the performance test.

Adjustable range: Up- down  $\pm 5$  mm, right- left  $\pm 5$  mm, front- back  $\pm 4$  mm  
 Material: (Main unit/ Spool bracket) Resin, Steel  
 (Liner) Steel

Hinged Door Soft Closer  
 Product No.

LH	RH	Door Weight	Finish/Color
312021	312025	10~30kg	Gold Painting
312022	312026	(98~294N)	Silver Painting
312023	312027	※1	Gray
312024	312028		Brown
312029	312030		White
312051	312055	45kg	Gold Painting
312052	312056	(441N)	Silver Painting
312053	312057	※2	Gray
312054	312058		Brown
312059	312060		White

Screw included:

- (Bracket)  
4 × 30 Binding head tapping screw 2pcs
- (Main unit)  
4 × 30 Pan head tapping screw 2pcs  
4 × 20 Flat head tapping screw 3pcs  
M4 × 12 Pan head machine screw 2pcs  
M4 Flat washer 2pcs

- ※1 Recommended door weight: 10~25kg
- ※2 Recommended door weight: 26~40kg



There are LH and RH.



Gray (R)



Brown (R)



Gold Painting (R)



Silver Painting (R)



Door Installation Liner

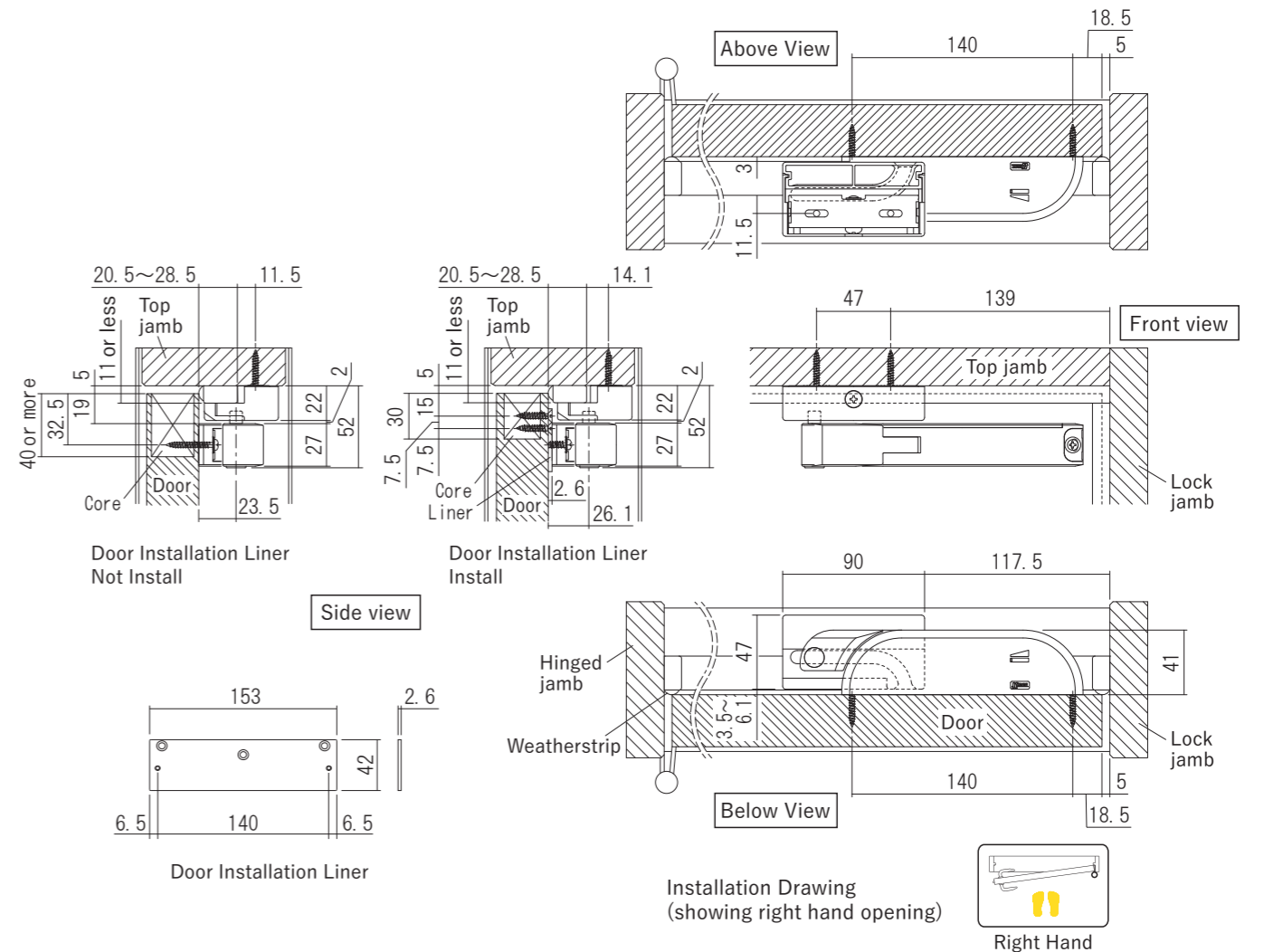
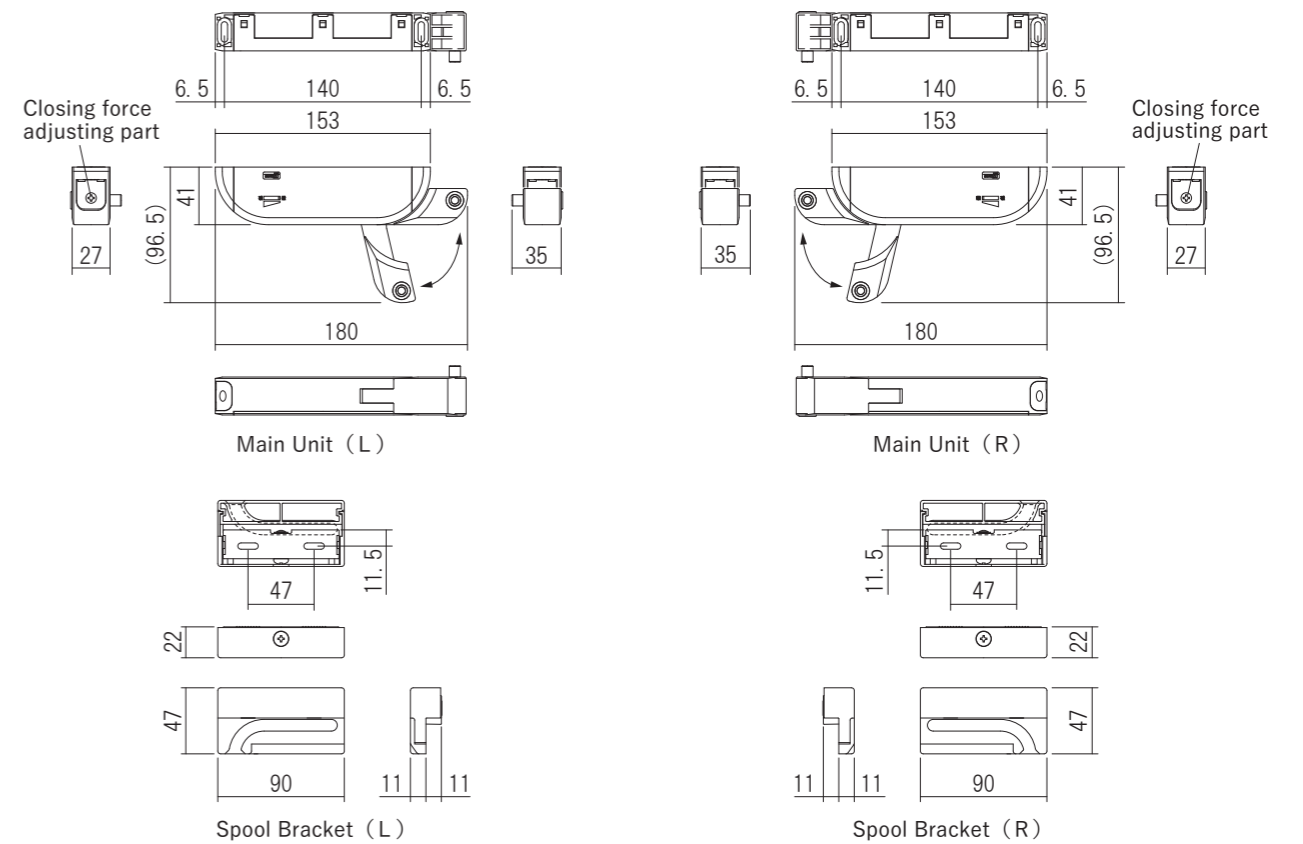


Right Hand



Right Hand

The arm extends once it is released from the spool bracket.



※ This drawing is only for reference. For installation, please use the manual and pattern paper attached to the product.