



NS Automatic Hook Lock

By adding up a magnet, this product not only can prevent the door from not closing perfectly or bouncing back. But it can also automatically lock the door by dropping the hook once the door is pulled to close entirely by the magnet force. Pull the puller to lift the hook, and the door will become moveable. The product without a lock is also an option for your sliding door.

Material: (Pull) Resin
 (Lock Case, Strike) Stainless Steel
 Door Thickness: DT33_29.5~34.5mm, DT36_34.6~39.0mm
 Strike Installation Range: Up-Down ±4mm, Depth 4mm

NS Automatic Hook Lock

Product No.	Key	Specification	Finish/Color
DT33 DT36			
224621□ 224622□ 224623□ 224631□ 224632□ 224633□ 224641□ 224642□ 224643□	224624□ 224625□ 224626□ 224634□ 224635□ 224636□ 224644□ 224645□ 224646□	Passage lock	Chrome Plating Gold Painting Silver Painting
224631□ 224632□ 224633□ 224641□ 224642□ 224643□	224634□ 224635□ 224636□ 224644□ 224645□ 224646□	Privacy lock	Chrome Plating Gold Painting Silver Painting
224641□ 224642□ 224643□	224644□ 224645□ 224646□	Indicator lock	Chrome Plating Gold Painting Silver Painting
224651 224652 224653	224654 224655 224656	Puller	Chrome Plating Gold Painting Silver Painting

※ □: Enter R for the front Round type or S for the Rectangle type.
 ※ The price is for one inside and one outside set.
 ※ The finish of the front of the lock case and the strike is barrel polishing.
 Screw included:
 (Pull) M3×30 Flat head machine screw 2pcs
 (Lock Case) 4×20 Flat head tapping screw 2pcs
 (Strike) 4×20 Flat head tapping screw 2pcs



Round type
Rectangle type
Adjustable Strike

NS Automatic Hook Lock (Indicator lock)



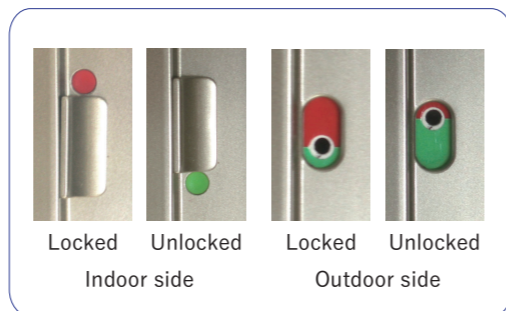
Round type Square type



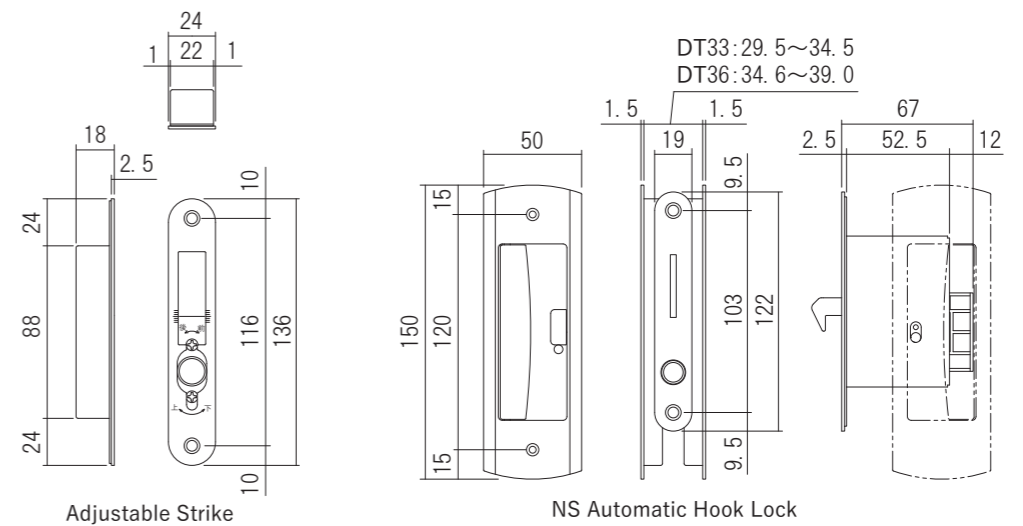
Passage lock Privacy lock Indicator lock Puller (no lock)



Chrome Plating Gold Painting Silver Painting

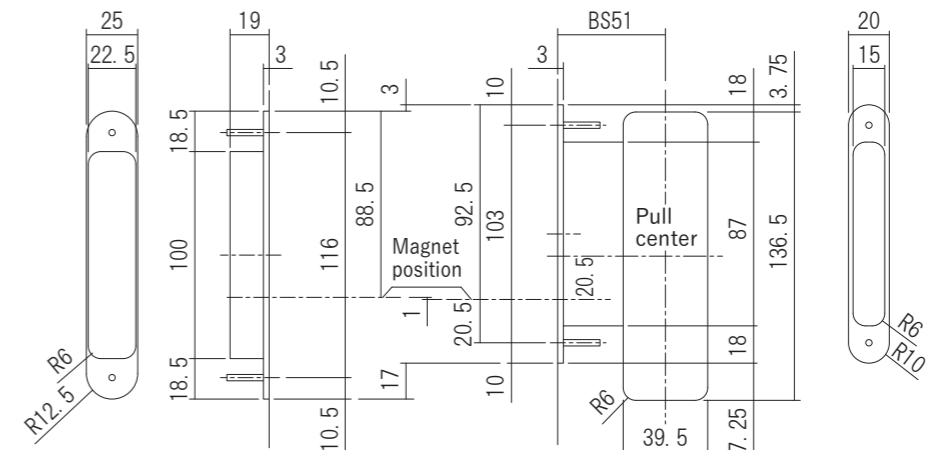


Locked Unlocked Locked Unlocked
Indoor side Outdoor side

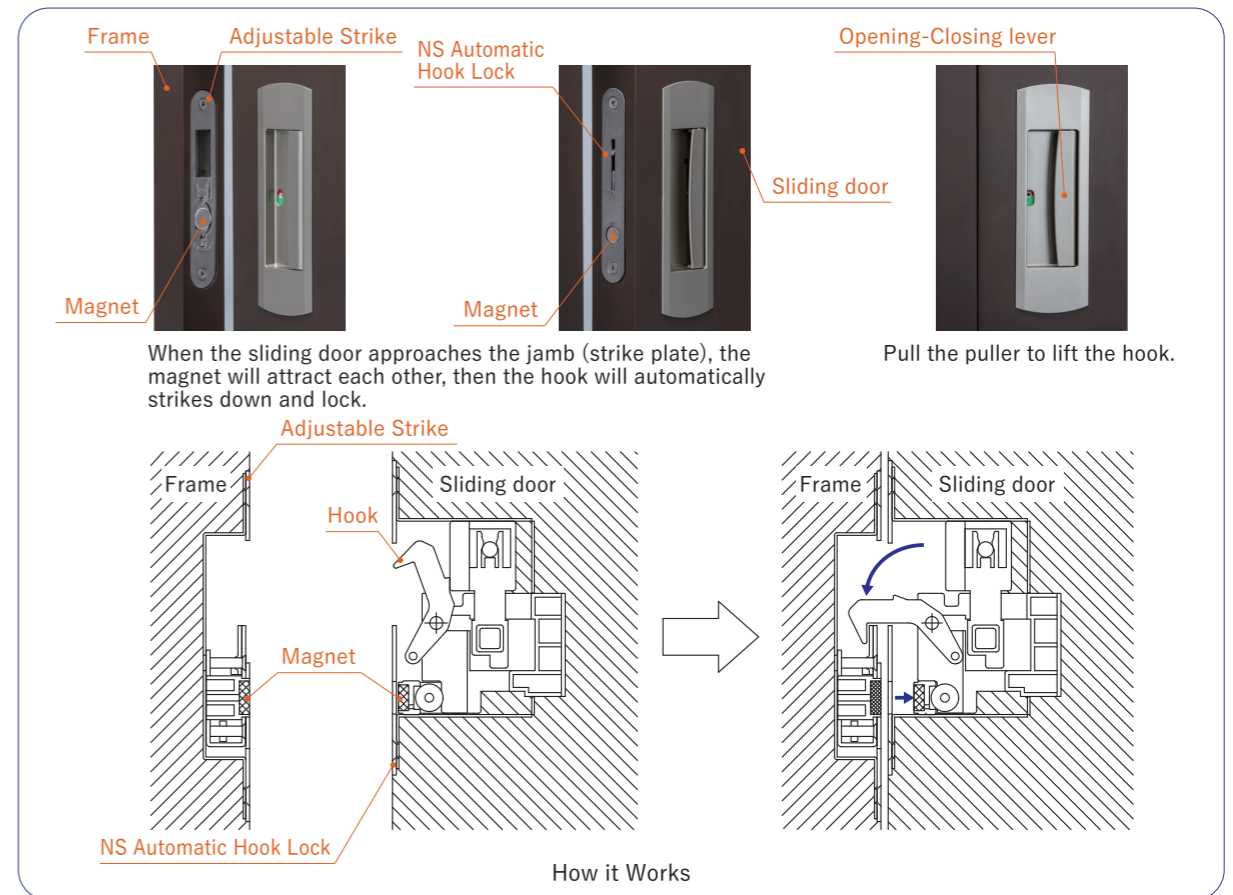


Adjustable Strike

NS Automatic Hook Lock



Digging process drawing



How it Works